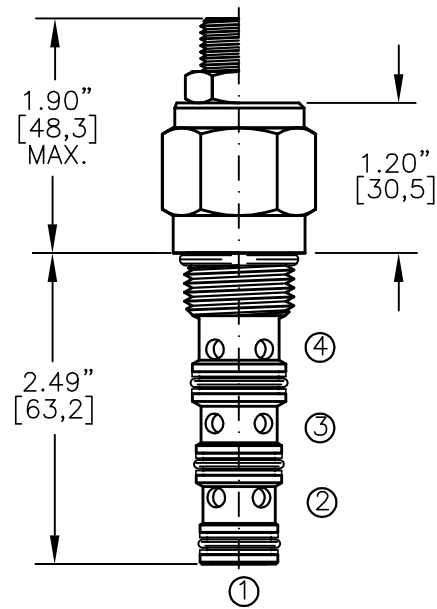
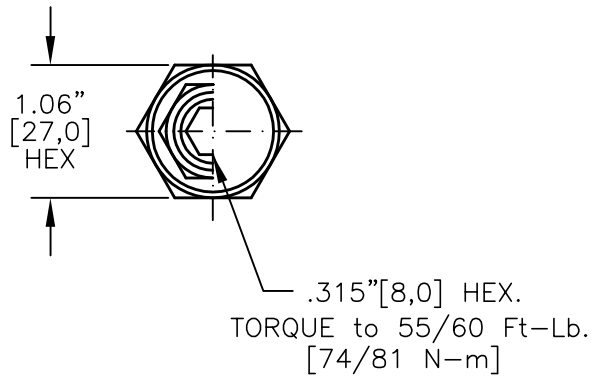
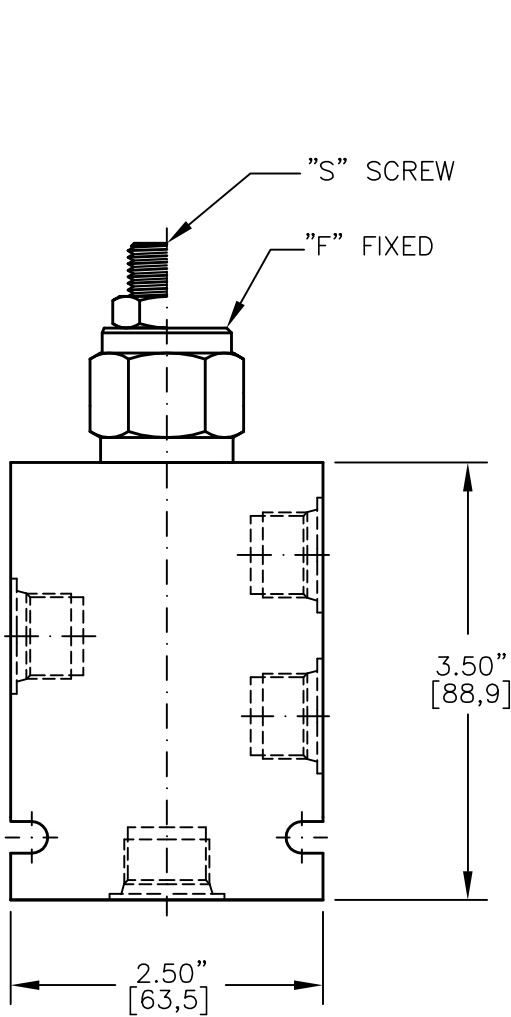
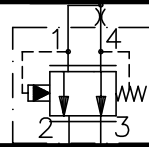




# PRESSURE COMPENSATOR SPOOL TYPE, PRIORITY-TYPE COMPENSATOR



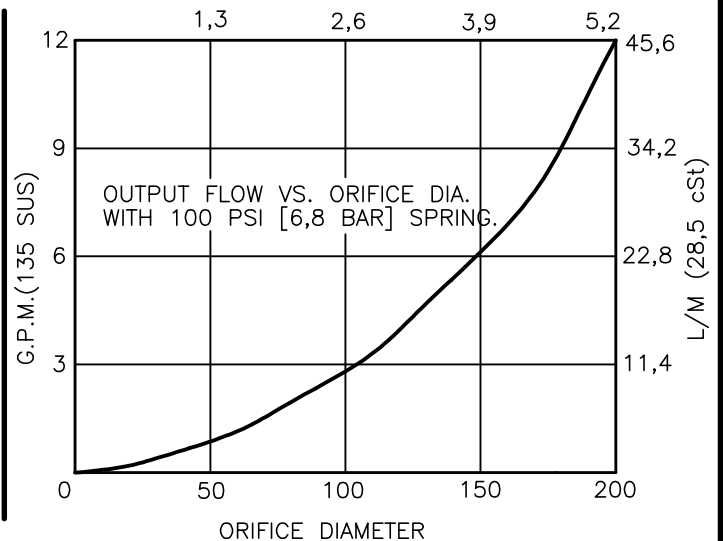
FOR ALUMINUM OR STEEL VALVE HOUSING CONFIGURATIONS SEE PAGE 0-042.1

## PCEB-10-X-X-X-XXX

- BASIC SIZE
- 10 = 7/8"-14 UNF
- SEALS
- N = BUNA "N"
- V = VITON
- ADJUSTMENT
- F = FIXED (FACTORY SET)
- S = ADJUSTING SCREW
- C = CAPPED
- T = TAMPERPROOF
- K = HANDKNOB
- M = METAL HANDKNOB

- PRESSURE BIAS SPRING
- 075 = 75 PSI (FIXED)
- 100 = 100 PSI (FIXED)
- 160 = 40-160 PSI (ADJ.)
- PORTS
- 0 = CARTRIDGE ONLY
- 02BX = G 1/4" BSPP
- 03BX = G 3/8" BSPP
- 06TX = SAE - #6
- 08TX = SAE - #8
- "A" - ALUM. HOUSING
- "S" - STEEL HOUSING

FOR ADJUSTMENT CONTROL  
OPTIONS SEE PAGE 0-050.0





## PRESSURE COMPENSATOR SPOOL TYPE, PRIORITY-TYPE, PRESSURE COMPENSATING ELEMENT.

### DESCRIPTION

This unit is a DIRECT ACTING, SCREW IN CARTRIDGE STYLE, SPOOL TYPE, PRESSURE-COMPENSATING PRIORITY TYPE FLOW ELEMENT, intended for use with a remote fixed or variable orifice to yield a three-port (bypass-type), pressure-compensated, flow regulating hydraulic valve.

### OPERATIONS

This valve maintains a constant flow rate at port 3 regardless of load pressure changes in a circuit downstream of port 3.

This cartridge compensator flow element maintains a constant differential pressure circuit point "P" to port 3 thereby regulating the hydraulic flow rate between the two points in the circuit. This is a priority type regulator, delivering pump flow first to port 3, then by-passing excess flow to port 2. All ports can be fully pressurized.

### FEATURES AND BENEFITS

Leakproof screw adjustment.

This valve has a fixed or an adjustable bias spring.

Adjustment screw can not be backed out of the valve.

Overset protection – spring can not go solid.

Hardened precision fitted spool & cage provides reliable, long life.

A unibody cage construction provides very low hysteresis and reliable operation.

All external carbon steel parts are plated for longer life against the elements.

Valve is available with fixed, screw, tamperproof, capped and handknob adjustments.

All cartridge valves are 100% functionally tested.

Industry common cavity.

### SPECIFICATIONS

OPERATING PRESSURE: 5,000 PSI [350 Bar]

PROOF PRESSURE: 10,000 PSI [700 Bar]

INLET FLOW: 18.0 GPM [68 L/M]. Regulated see performance chart.

INTERNAL LEAKAGE: 5 cu.in./min. [85 cc/m].

DEFINITION OF CRACK: evident at 0.06 GPM [0.25 LPM]

VALVE HOUSINGS: 2500 PSI [175 Bar] = Aluminum – Anodized.

5000 PSI [350 Bar] = Steel – Unplated.

OPERATING TEMPERATURE: -40° to +250° F. [-40° to +120° C.]

OPERATING MEDIA: All general purpose hydraulic fluids such as MIL-H-5606, SAE-#10, SAE-#20, etc.

INSTALLATION: Use undercut in cavity (port 4 only) to obtain max rated flow.

FILTRATION: 25 microns or better.

SEAL KIT NUMBER: SKN-1040 for buna "N".

SKV-1040 for viton.

WEIGHT: 0.46 lb [.21 kg] cartridge only.

VALVE CAVITY: #C1040, See Page 0-042.0.